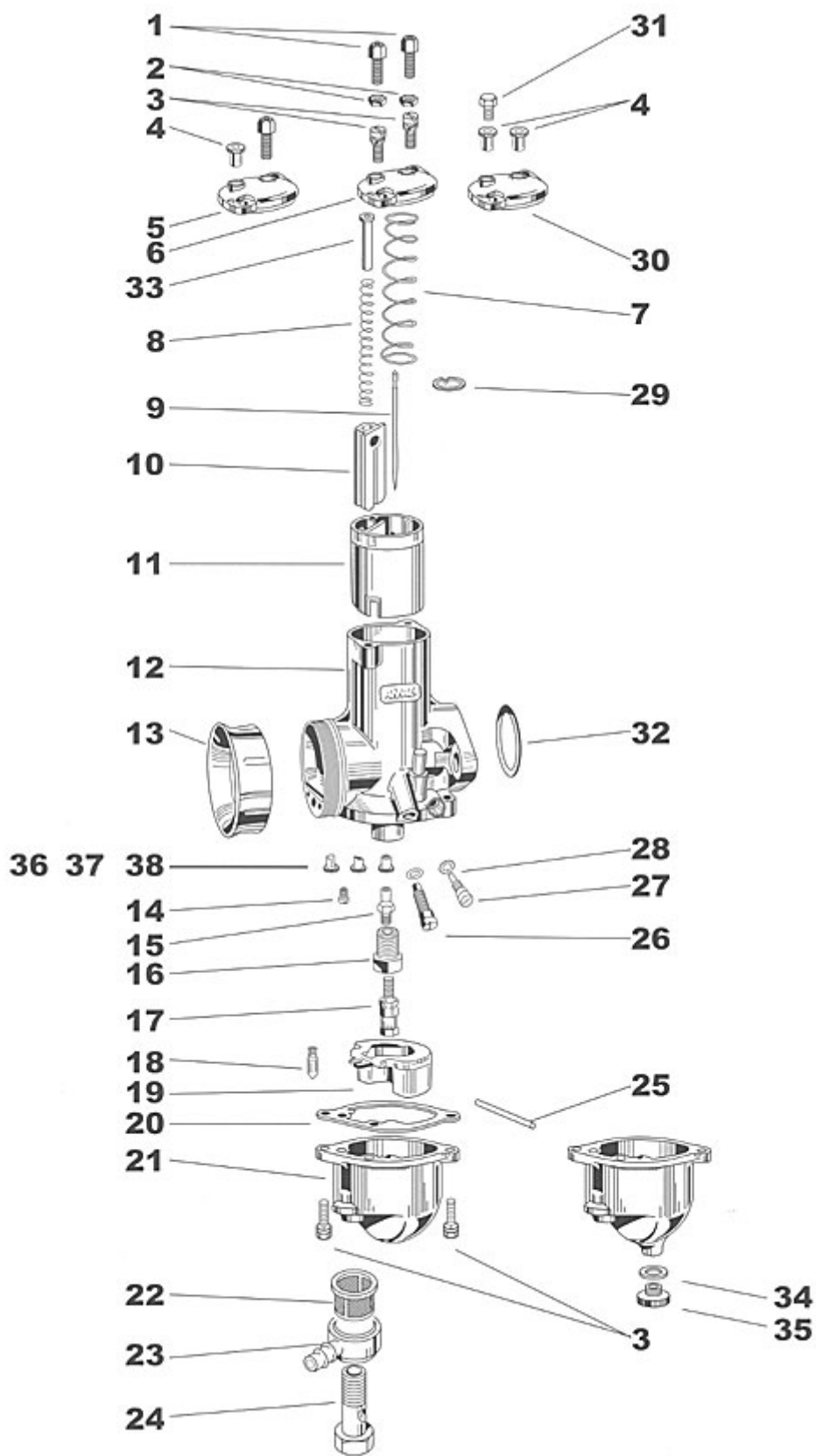


**MK I Concentric 6 & 9 Series Carburettor Details:**



**Amal Concentric MK I Carburettor 6 & 9 Series**

<b>Illustration Number</b>	<b>Illustration Component</b>	<b>6 Series</b>	<b>Part Number</b>	<b>9 Series</b>	<b>Part Number</b>
1	Cable Adjuster	4/035	90001	4/035	90001
2	Cable Adjuster Locknut	5/077	90102	5/077	90102
3	Securing Screw For Float Bowl & Mixing Chamber Top	622/086	90385	622/086	90385
4	Cable Ferrule For Use With Mid Cable				
5	Mixing Chamber Top For Adjuster & Ferrule			928/097	90423
6	Mixing Chamber Top (standard)	622/064	90371	928/064	90418
7	Throttle Slide Spring	622/131	90398	622/131	90398
8	Choke Valve Spring	622/129	90397	622/129	90397
9	Throttle Needle (paired with needle jet 622/079) 2 Stroke	622/063	90370	928/063	90417
9	Throttle Needle (paired with needle jet 622/122) 4 Stroke	622/124	90395	622/124	90395
9	Throttle Needle ( for alcohol only)	622/099	90388	928/099	90425
9	Throttle Needle 4 Stroke (with 4 grooves)	928/104	90428	928/104	90428
10	Choke Valve	622/062	90369	928/062	90416
11	Throttle Slide (No 2 cutaway)	622/060/2	90364	928/060/2	90411
11	Throttle Slide (No. 2 1/2 cutaway)	622/060/2.5	90365	928/060/2.5	90412
11	Throttle Slide (No. 3 cutaway)	622/060/3	90366	928/060/3	90413
11	Throttle Slide ( No. 3 1/2 cutaway)	622/060/3.5	90334	928/060/3.5	90434
11	Throttle Slide (No. 4 cutaway)	622/060/4	90335	928/060/4	90435
11	Throttle Slide Chrome (No. 2 1/2 cutaway)	622/060/2.5	90332	928/060/2.5	90432
11	Throttle Slide Chrome (No. 3 cutaway)	622/060/3	90333	928/060/3	90433
11	Throttle Slide Chrome (No. 3 1/2 cutaway)	622/060/3.5	90334	928/060/3.5	90434
11	Throttle Slide Chrome (No. 4 cutaway)	622/060/4	90335	928/060/4	90435
12	Carburettor Body (4 Stroke)				
13	Velocity Stack (custom made Alloy)	928/076	90422		
13	Velocity Stack (standard)	376/066	90184	928/066	90419
14	Pilot Jet - See Pilot & Power Jet Chart				
15	Needle Jet (2 Stroke 105)	622/079/105	90380	622/079/105	90380
15	Needle Jet (2 Stroke 106)	622/079/106	90381	622/079/106	90381
15	Needle Jet (2 Stroke 107)	622/079/107	90382	622/079/107	90382
15	Needle Jet (2 Stroke 108)	622/079/108	90715	622/079/108	90715
15	Needle Jet (2 Stroke 109)	622/079/109	90383	622/079/109	90383
15	Needle Jet (4 Stroke 105)	622/122/105	90392	622/122/105	90392
15	Needle Jet (4 Stroke 106)	622/122/106	90393	622/122/106	90393
15	Needle Jet (4 Stroke 107)	622/122/107	90394	622/122/107	90394
15	Needle Jet (4 Stroke 108)	622/122/108	90719	622/122/108	90719
15	Needle Jet (4 Stroke 109)	622/122/109	90800	622/122/109	90800
15	Needle Jet (alcohol only 120)	622/100/120	90389	622/122/120	90389
15	Needle Jet (alcohol only 125)	622/100/120	90717	622/100/125	90717
16	Jet Holder	622/128	90396	622/128	90396

<b>Illustration Number</b>	<b>Illustration Component</b>	<b>600 Series</b>	<b>Part Number</b>	<b>900 Series</b>	<b>Part Number</b>
17	Main Jet - See Main Jet Chart				
18	Float Needle (viton tip)	622/197	90406	622/197	90406
18	Float Needle (alloy, Alcohol only)	622/279	90809	622/279	90809
19	Float	622/069	90374	622/069	90374
20	Float Bowl Washer	622/073	90376	622/073	90376
21	Float Bowl 0.10" Seating With Drain Plug	622/055	90712	622/055	90712
22	Filter	376/093	90216	376/093	90216
23	Banjo, Single, Push-on (1/4" inside dia tubing)	376/097	90219	376/097	90219
23	Banjo, Single, Push-on Metal) (1/4" inside dia tubing)	376/097	90220	376/097	90220
23	Banjo, Double, 150 deg, Push-on (5/16" tubing)	376/139	90331	376/139	90331
23	Banjo, Double, 55 deg, Push-on (5/16" tubing)	376/410	90338	376/410	90338
23	Banjo, Double, 180 deg, Push-on (1/4" tubing)	376/419	90707	376/419	90707
	Not Illustrated - Banjo Washer (alcohol only)	14/175	90112	14/175	90112
24	Banjo Bolt	622/078	90379	622/078	90379
	Not Illustrated - Banjo Bolt Washer (Diecast banjos only)	13/163	90107	13/163	90107
25	Float Spindle	622/071	90375	622/071	90375
26	Throttle Stop Adjusting Screw	622/077	90378	622/077	90378
27	Pilot Air Adjusting Screw	622/076	90377	622/076	90377
28	O' Rings	622/082	90384	622/082	90384
29	Needle Clip	622/067	90372	622/067	90372
30	Mixing Chamber Top For Two Ferrules				
31	Plug For Mixing Chamber Top	4/137A	90092	4/137A	90092
32	O' Ring For Flange Sealing	622/101	90390	622/101	90390
33	Choke Valve Guide	622/134	90720	928/103	90721
34	Float Bowl Drain Plug Washer	622/151	90400	622/151	90400
35	Float Bowl Drain Plug - Plastic	622/147	90802	622/147	90802
35	Float Bowl Drain Plug - Metal	622/155	90401	622/155	90401
37	Spray Tube	622/075	90981	622/075	90981
38	Spray Tube	622/074	90980	622/074	90980
	Not Illustrated - Main Jet Filter	928/071	90722	928/071	90722
	Not Illustrated - Cable Sheath	316/083	90165	316/083	90165