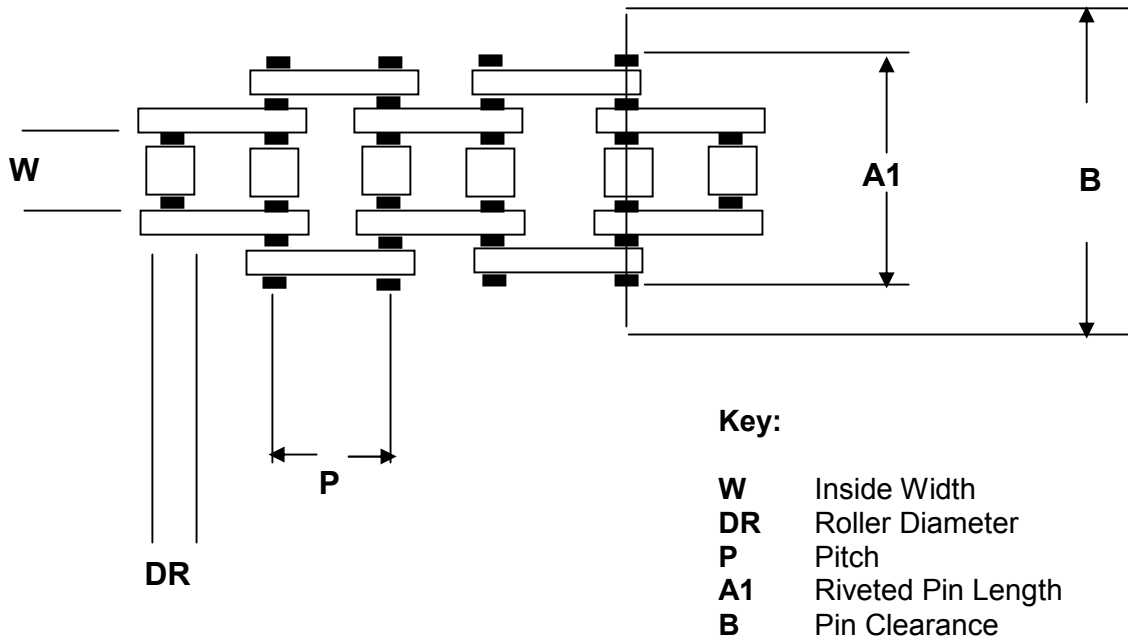


Chain Sizes & Technical Details



Primary & Rear Chains

Renold Chain No	MC Chain No	Chain No	Chain Size	Pitch	Roller Diameter	Inside Width	Riveted Pin Length	Pin Clearance
			P x W	P	DR	W	A1	B
111044	N/A	53	1/2 x 1/8	12.7	7.75	3.3	9.3	12.3
111046	415	54	1/2 x 3/16	12.7	7.75	4.88	12.9	15.9
110044	420	125EBSR	1/2 x 3/16	12.7	8.51	5.21	14.5	22
112045	415	90R	1/2 x 3/16	12.7	7,75	4.88	14.6	17.6
112046	420	125EBSR	1/2 x 3/16	12.7	8.51	5.21	14.5	22
110046	428	126SR	1/2 x 5/16	12.7	8.51	7,75	16.5	24
110054	520	135RESR	5/8 x 1/4	15.875	10.16	6.48	16.1	24.3
110056	530	136SR	5/8 x 3/8	15.875	10.16	9.65	19.1	27
N/A	520	135EBSR	5/8 x 1/4	15.875	10.16	6.48	17.5	26
119058	520	135GPM	5/8 x 1/4	15.875	10.16	6.48	18.1	26.6
119059	530	136RS	5/8 x 3/8	15.875	10.16	9.53	22	30.5
N/A	525	137RS	5/8 x 5/16	15.875	10.16	7.95	19.5	28

Primary, Camshaft, Dynamo & Magneto Chains

Renold Chain No	MC Chain No	Chain No	Chain Size	Pitch	Roller Diameter	Inside Width	Riveted Pin Length	Pin Clearance
			P x W	P	DR	W	A1	B
110500		105	8 x 3 mm	8	5	3	8.3	13
114500		205	8 x 3 mm	8	5	3	14	20.2
110037		C120SR	3/8 x 5/32	9.252	6.35	3.9	11	15
110038		C121SR	3/8 x 7/32	9.252	6.35	5.72	12.8	19
114038		C221SR	3/8 x 7/32	9.252	6.35	5.72	22.9	29.5
116038		C321SR	3/8 x 7/32	9.252	6.35	5.72	33.2	39.8